

SUBMITTAL MicroMetl

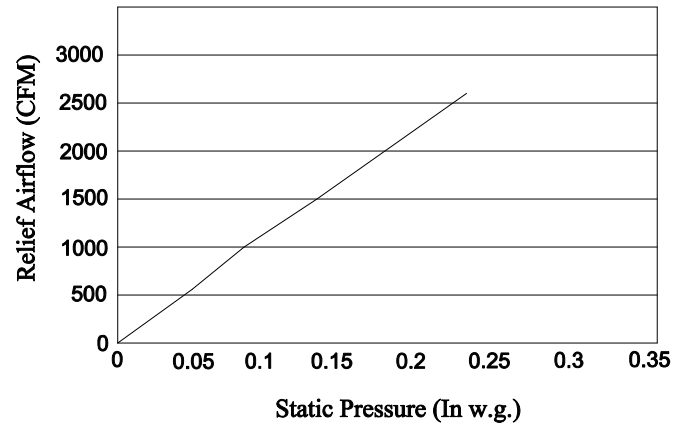
HORIZONTAL DISCHARGE ECONOMIZER WITH RELIEF CAPABILITY FOR

YORK ZH, DH, DM, BP 078-150, DR 090-150
DF 078-120, DJ 150 UNITS

PART NUMBER:

0844ZH712EC

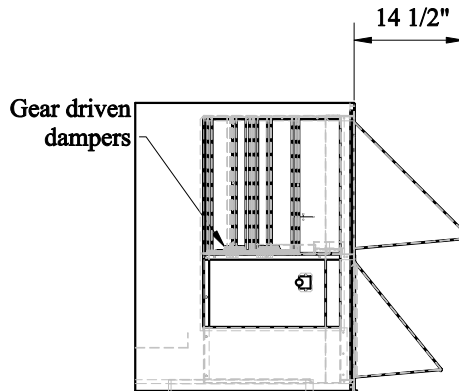
DATE: 08/2007
SUBMITTED TO:
COMPANY: US-AC
DRAWN BY: MAC
JOB NAME:
WEIGHT: 77 LBS
NOTES:



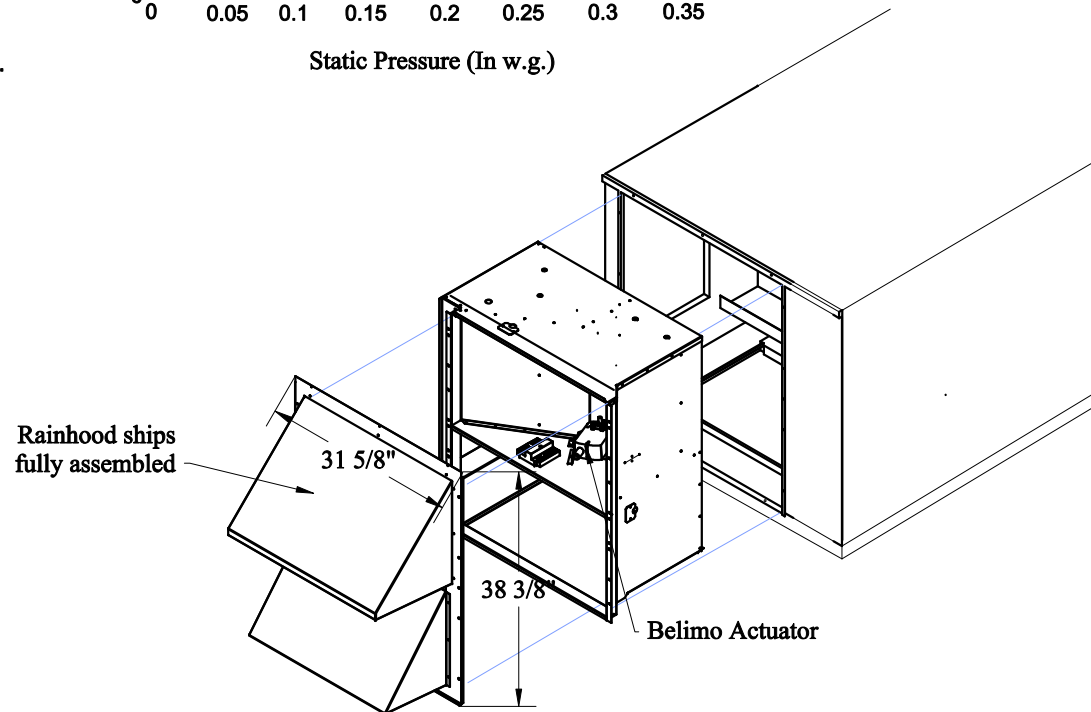
Economizer includes Honeywell W7212 controller capable of CO2 demand control and power exhaust activation switch.

FEATURES

- * Fully factory assembled.
- * Designed specifically for horizontal discharge applications.
- * Gear driven dampers eliminate slippage associated with standard linkage.
- * Easy to install and service.
- * Lower static pressure loss through economizer dampers.
- * Greater barometric relief capabilities.
- * Factory assembled rainhood.
- * Rainhoods are sloped for water run-off.



SIDE VIEW



THIS DOCUMENT IS THE PROPERTY OF MICROMETL CORPORATION AND IS DELIVERED UPON THE EXPRESS CONDITION THAT THE CONTENTS WILL NOT BE DISCLOSED OR USED WITHOUT MICROMETL'S WRITTEN CONSENT. MANUFACTURER RESERVES THE RIGHT TO DISCONTINUE, OR CHANGE AT ANYTIME, SPECIFICATIONS & DESIGNS WITHOUT ANY NOTICE AND WITHOUT INCURRING OBLIGATIONS. COPYRIGHT MICROMETL CORPORATION 1999. ALL RIGHTS RESERVED

MICROMETL CORPORATION * 3035 N. SHADELAND AVE., SUITE 300 * INDIANAPOLIS, IN 46226 * 1-800-662-4822 *** MICROMETL WEST * 905 SOUTHERN WAY * SPARKS, NV * 1-800-884-4662