

MicroMetl accessories simplify and minimize installation procedures on rooftop applications. Read these instructions completely before beginning. These installation instructions pertain to the 0560 series roofcurbs.

Pages 1, 2 Roofcurb instructions

Pages 3, 4 Adjustable pitched curb instructions

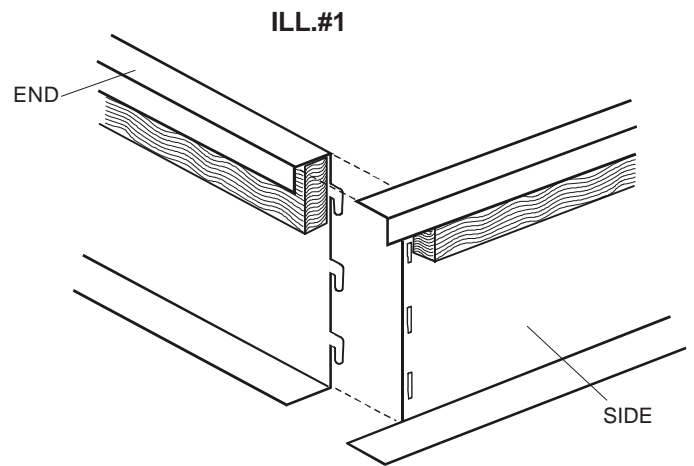
Care must be exercised in locating the unit's roofcurb and roof opening. The HVAC system should cross enough roof supports to safely distribute the system's weight over the roof.

The following is a list of materials pertaining to your MicroMetl roofcurb purchase.

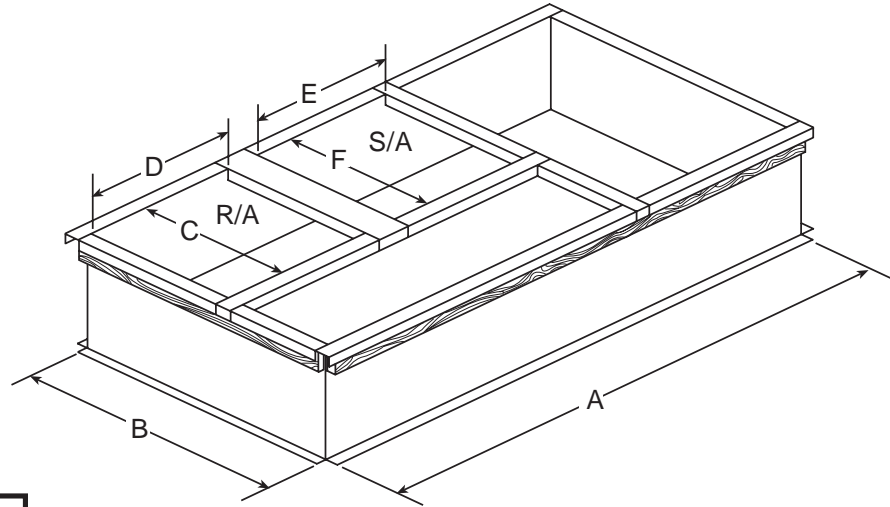
ROOFCURB LIST OF MATERIALS						
MicroMetl Part Number	Height	Side	End	Deckpan	Support	Gasketing
0560ZJ36CRB08	8"	2	2	N/A	3	25 ft.
0560ZJ36CRB11	11"					
0560ZJ36CRB14	14"					
0560ZJ36CRB24	24"					

INSTRUCTIONS:

1. Unpackage curb and locate all parts.
2. Bring together (1) curb side and (1) curb end. Insert tabs on curb end into slots on curb side. Press together until tab locks in place. It may be necessary to firmly step on top of curb end to lock tab in place. Repeat for all (4) corners.
3. If lifting curb after it has been assembled, hammer all corner tabs over to side.
4. Install (3) duct supports on duct end of curb (see next page for dimensions).
5. Square up curb by measuring diagonally across curb corners. Set curb in place over roof opening.
6. Manufacture duct and drop onto curb. Install gasketing around top perimeter of curb and around top duct flanges.



0560 SERIES ROOFCURB ASSEMBLY



IMPORTANT!
IF USING THROUGH THE
BOTTOM POWER CONNECTIONS,
REFER TO HVAC UNIT INSTRUCTIONS
FOR INSTALLATION DETAILS.

SPECIFICATIONS (in inches)

MicroMetl Curb Part Number	A	B	C	D	E	F
0560 Series	69"	33 1/4"	19 1/2"	19 1/2"	19 1/2"	19 1/2"

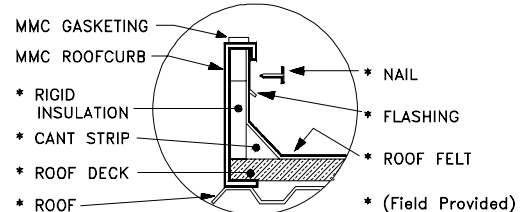
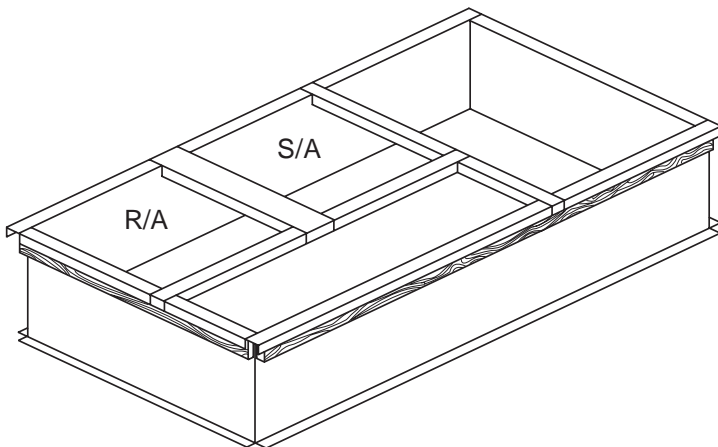
ROOFCURB INSTALLATION

INSTRUCTIONS:

1. Cut roof opening to specified size and place curb over opening.

CAUTION:
Make sure curb is square.

2. Insulate and add cant strip to the curb. Follow the suggested roofing procedures or acceptable procedures for applying roofing. Be sure the roofing extends up to the tack strip and is secured under proper counter flashing. (See illustration below).



ROOFING DETAIL
ILL. #3

ADJUSTABLE PITCH / ADJUSTABLE HEIGHT CURBS INSTRUCTIONS

This MicroMetl Adjustable Pitch Curb is for roofs with pitches up to 1" in 12".

1. Unpackage roofcurb. Separate parts for top section, bottom section and decks / supports.
2. **Bottom section:** Assemble the (2) sides and (2) ends. The attachment flanges on the ends go to the inside of the sides.

Use (2) 3/4" long tek screws in each corner to assemble. The screws are inserted from outside the curb inwards.

3. **Top section:** Assemble the (2) sides and (2) ends. The attachment flanges on the ends go to the inside of the sides.

Use (3) 3/4" tek screws in each corner to assemble. The top screw will go into the wood nailer. The screws are inserted from inside the curb outward.

4. Install the duct supports to the top of the top section. See Figure 2. Gasket the top 1 3/4" perimeter and around the duct openings.

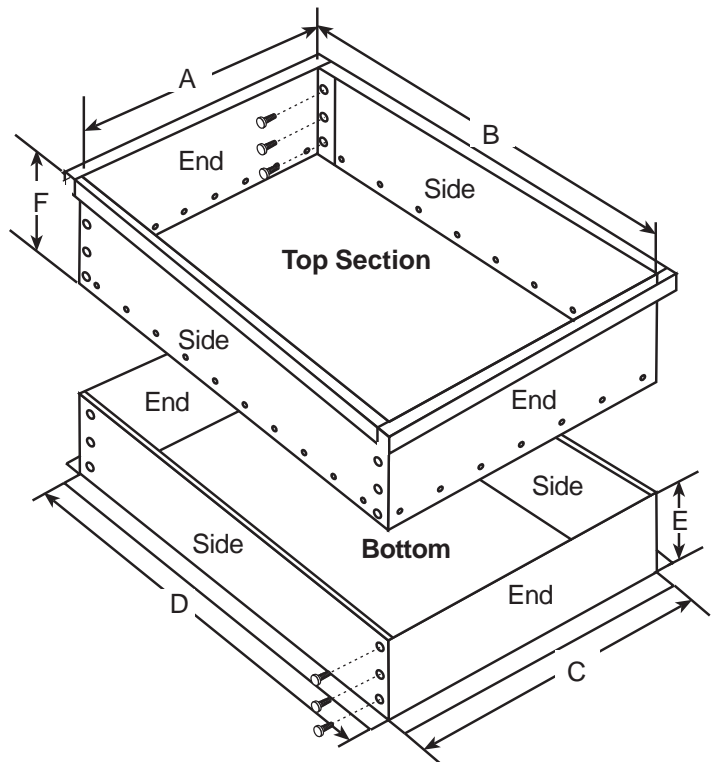


Figure 1

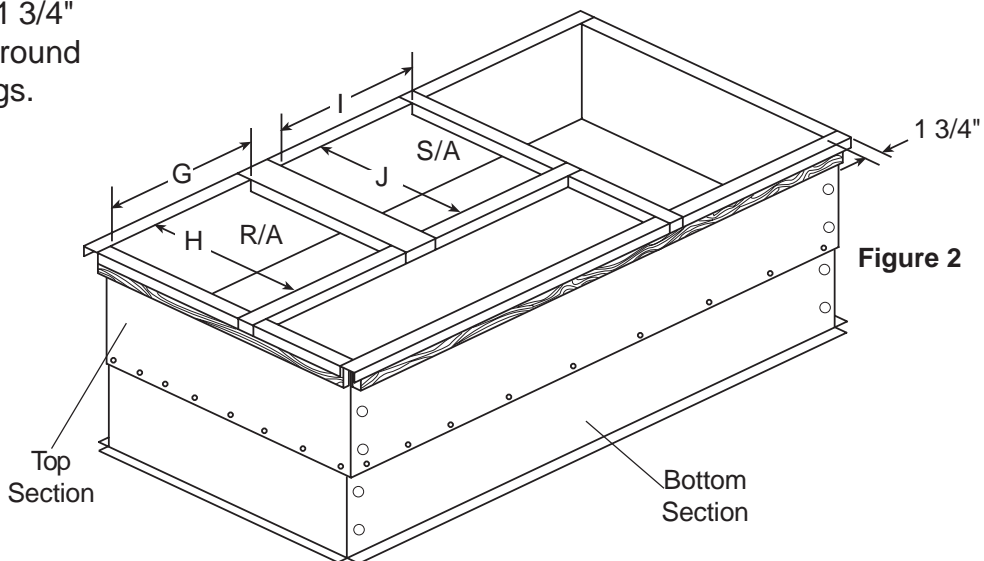


Figure 2

Table 1

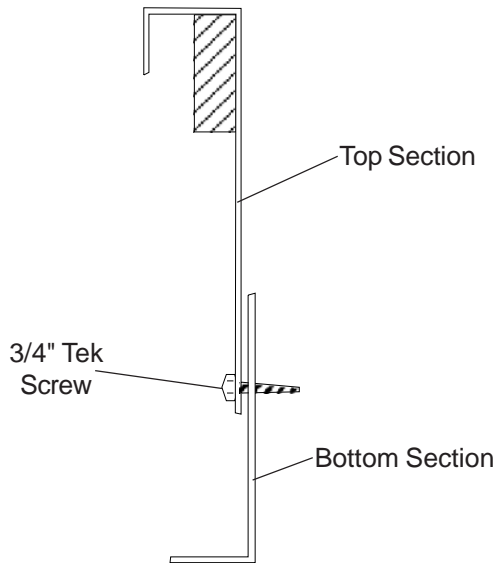
	A	B	C	D	E	F	Return		Supply	
							G	H	I	J
AP560ZJ36APCRB11	33 1/4"	69"	32 15/16"	66 5/8"	6 1/2"	11"	19 1/2"	19 1/2"	19 1/2"	19 1/2"
AP560ZJ36APCRB14						14"				

ADJUSTABLE PITCH / ADJUSTABLE HEIGHT CURBS (CONT.)

5. Locate the bottom section assembly over the roof openings. The roof opening sizes listed in the HVAC unit specifications are appropriate (unless using a hard duct type concentric diffuser package). Secure the bottom section to the roof.
6. Slide the top section over the bottom section. Level the top section and prop-up in place.

NOTE:

This curb can be used on roofs with a pitch up to 1" in 12". If curb is pitched on the short side, the roof pitch can be even greater.



**Figure 4
Detail**

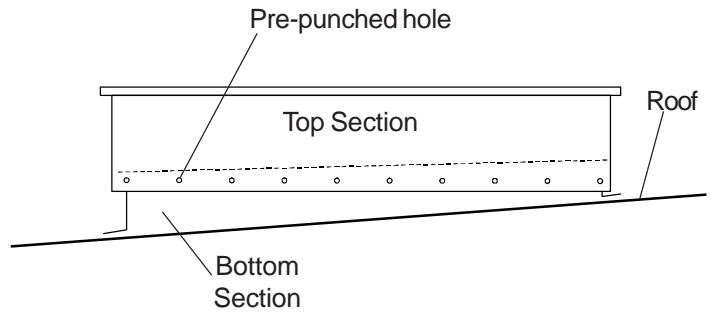


Figure 3

7. Through the pre-punched holes along the bottom base of the top section, insert 3/4" tek screws. This will secure the top section to the bottom section.

The pre-punched holes are 6" apart. **It is important that you install the screws through every hole.**

8. Roof in the curb according to the local or other appropriate codes.
9. Manufacture the supply and return duct according to the dimensions shown in Table 2.

Duct Sizes		
	<i>Return Duct</i>	<i>Supply Duct</i>
AP560 SERIES	18 5/8" sq.	18 5/8" sq.

Table 2