

SUBMITTAL DATA: MSY-A24NA & MUY-A24NA

24,000 Btu/h WALL-MOUNTED AIR-CONDITIONING SYSTEM

Job Name: _____ Location: _____ Date: _____

Purchaser: _____ Engineer: _____

Submitted to: _____ For Reference Approval Construction

Unit Designation: _____ Schedule No.: _____

GENERAL FEATURES

- Limited warranty: one year on parts and defects and six years on compressor
- Compact side discharge outdoor unit
- Zone control
- Wireless remote controller
- Automatic fan speed control
- Quiet operation – both indoor and outdoor units
- Auto restart following a power outage
- Self check function – onboard diagnostics
- Advanced microprocessor control

Rated capacity 22,000 Btu/h
 Minimum capacity 4,400 Btu/h
 SEER 16.0 Btu/h/W
 Total input 2880 W
 Power supply 208 / 230V, 1 Phase, 60 Hz
 Breaker size 20 A

Voltage

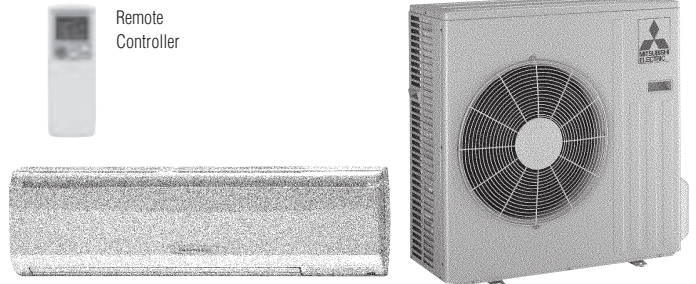
Indoor - Outdoor S1-S2
 Indoor - Outdoor S2-S3
 Indoor - Remote Controller

Indoor unit

MCA 1.0 A
 Fan motor 0.76 F.L.A.
 Fan motor output
 Airflow (Lo-Med-Hi) 296-431-568 Dry CFM
 265-385-508 Wet CFM
 Sound (level) (Lo-Med-Hi). 34-40-49 dB(A)

DIMENSIONS		INCHES	MM
inches	W	43-5/16	1100
	D	10-1/4	260
	H	12-13/16	325

Weight (lbs/Kg) 37 / 17
 Field drain pipe size I.D. (inches/mm) 1/2 / 12.7



Indoor Unit: MSY-A24NA

Outdoor Unit: MUY-A24NA

Outdoor Unit

Compressor DC inverter/twin rotary
 MCA 17
 Fan motor 0.93 F.L.A.
 Sound level. 55 dB(A)

DIMENSIONS		INCHES	MM
	W	33-1/16	840
	D	13	330
	H	33-7/16	849

Weight (lbs/Kg) 128 / 58
 Refrigerant type R410A
 Refrigerant pipe size O.D. (inches/mm)
 gas side 5/8 / 15.88
 liquid side 1/4 / 6.35
 Max. refrigerant pipe length (ft/m) 100 / 30
 Max. refrigerant pipe height difference (ft/m) 50 / 15
 Connection method flared

NOTES :

*1. Rating conditions (cooling)-indoor : D.B. 80°F, W.B. 67°F
 outdoor : D.B. 95°F, W.B. 75°F.

Operating range

		Indoor intake air temp.	Outdoor intake air temp.
Cooling	Maximum	D.B. 95°F, W.B. 71°F	D.B. 115°F
	Minimum	D.B. 67°F, W.B. 57°F	D.B. 14°F *

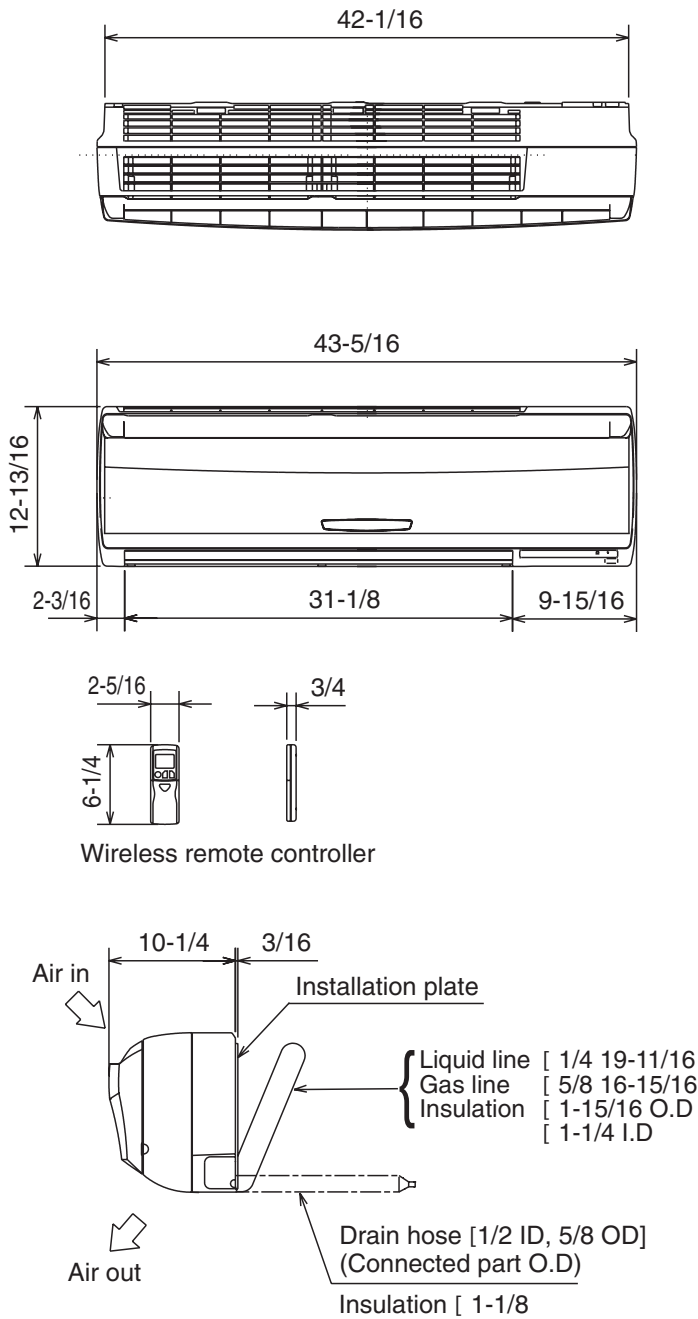
* Unit locks out at 10° FDB.



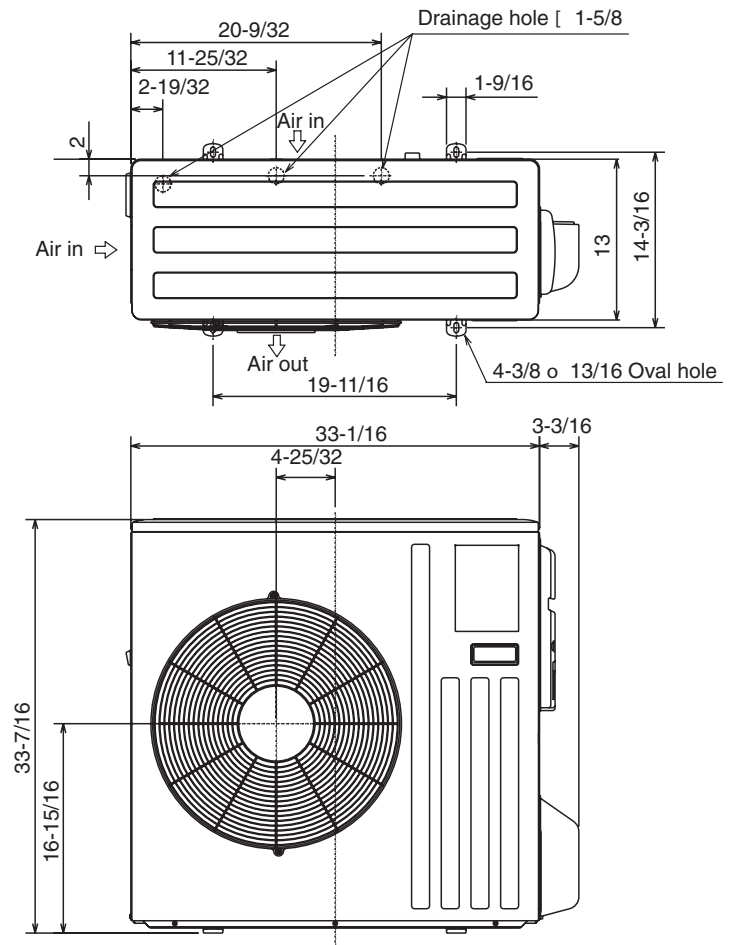
Notes:

DIMENSIONS: MSY-A24NA & MUY-A24NA

MSY-A24NA



MUY-A24NA



HVAC Advanced Products Division
Mitsubishi Electric & Electronics USA, Inc.

3400 Lawrenceville Suwanee Rd
Suwanee, GA 30024
Tele: 678-376-2900 • Fax: 800-889-9904
Toll Free: 800-433-4822 (#3)
www.mehvac.com