

SUBMITTAL DATA: PKA-A24FA & PUY-A24NHA
24,000 Btu/h WALL-MOUNTED AIR-CONDITIONING SYSTEM

Job Name:	Location:	Date:
Purchaser:	Engineer:	
Submitted to:	For <input type="checkbox"/> Reference <input type="checkbox"/> Approval <input type="checkbox"/> Construction	
Unit Designation:	Schedule No.:	

GENERAL FEATURES

- Limited warranty: one year on parts and defects and six years on compressor
- Compact side-discharge outdoor unit
- Zone control
- Hard-wired, wall-mounted remote controller (PAR-21MAA)
- Automatic fan speed control
- Quiet operation – both, indoor and outdoor units
- Auto restart following a power outage
- Self check function
- Advanced microprocessor control

Rated capacity	24,000 Btu/h
Minimum capacity	12,000 Btu/h
Total input	2650 W
SEER	13.5
Power supply	208 / 230V, 1 Phase, 60 Hz
Breaker size	25 A

Voltage

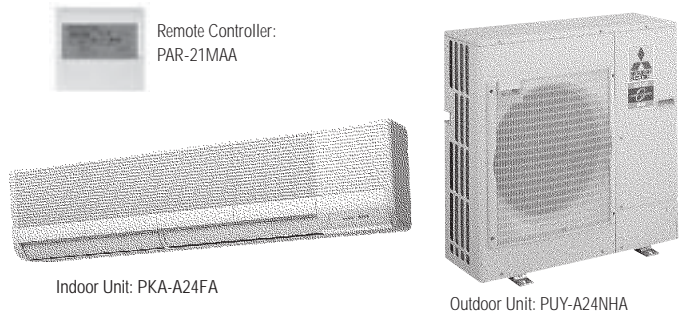
Indoor - outdoor S1-S2	AC 208/230V
Indoor - outdoor S2-S3	DC 24V
Indoor - remote controller	DC

Indoor unit

MCA	1 A
Fan motor	0.43 F.L.A.
Fan motor output	45 W
Airflow (Lo-Hi)	.530-705 Dry CFM 480-635 Wet CFM
Sound level (Lo-Hi)	39-45 dB(A)

DIMENSIONS	INCHES	MM
W	55-1/8	1400
D	9-1/4	235
H	13-3/8	340

Weight (lbs/kg)	53 / 24
Field drain pipe size I.D. (inches/mm)	3/4 / 19.05


Outdoor unit

Compressor	DC inverter/twin rotary
MCA	18
Fan motor	0.75 F.L.A.
Sound level	48 dB(A)

DIMENSIONS	INCHES	MM
W	37-3/8	950
D	13 + 1-3/16	330 + 30
H	37-1/8	943

Weight (lbs/Kg)	163 / 74
Refrigerant type	R410A
Refrigerant pipe size O.D. (inches/mm)	
gas side	5/8 / 15.88
liquid side	3/8 / 9.52
Max. refrigerant pipe length (ft/m)	165 / 50
Max. refrigerant pipe height difference (ft/m)	100 / 30
Connection method	flared

NOTES :

*1. Rating conditions (cooling)-indoor : D.B. 80°F, W.B. 67°F
 outdoor : D.B. 95°F, W.B. 75°F.

Operating range

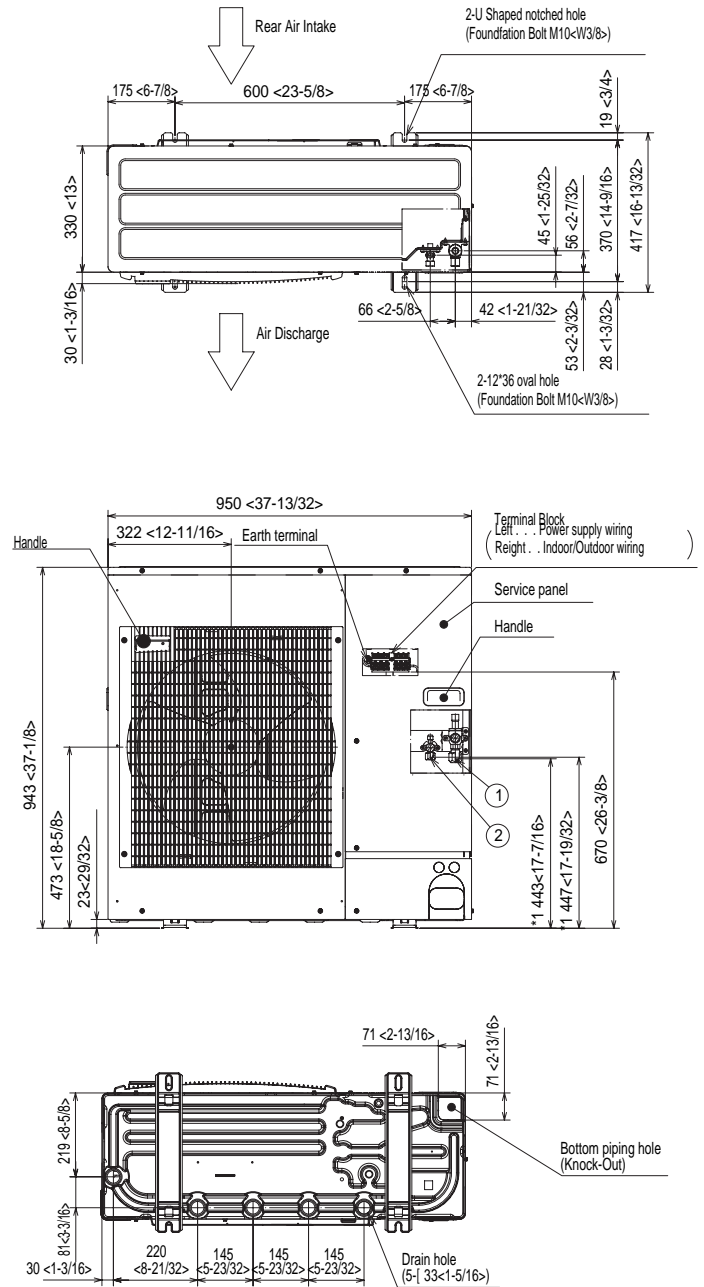
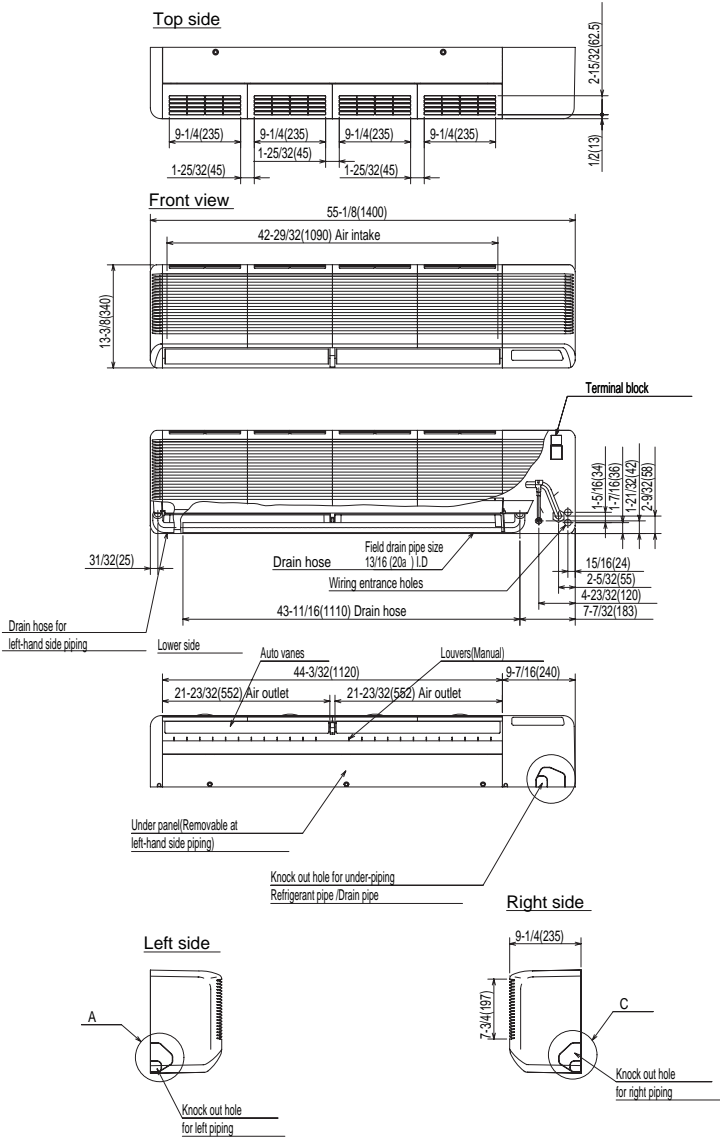
		Indoor intake air temp.	Outdoor intake air temp.
Cooling	Maximum	D.B. 95°F, W.B. 71°F	D.B. 115°F
	Minimum	D.B. 67°F, W.B. 57°F	D.B. 0°F *

* With wind baffle installed. If not installed, the minimum rated temperature is 23°FDB.



Notes:

DIMENSIONS: PKA-A24FA & PUY-A24NHA



HVAC Advanced Products Division
 Mitsubishi Electric & Electronics USA, Inc.

3400 Lawrenceville Suwanee Rd
 Suwanee, GA 30024
 Tele: 678-376-2900 • Fax: 800-889-9904
 Toll Free: 800-433-4822 (#3)
 www.mehvac.com
 Specifications are subject to change without notice.

SUBMITTAL DATA: PKA-A24FAL & PUY-A24NHA
24,000 Btu/h WALL-MOUNTED AIR-CONDITIONING SYSTEM

Job Name: _____	Location: _____	Date: _____
Purchaser: _____	Engineer: _____	
Submitted to: _____	For <input type="checkbox"/> Reference <input type="checkbox"/> Approval <input type="checkbox"/> Construction	
Unit Designation: _____	Schedule No.: _____	

GENERAL FEATURES

- Limited warranty: one year on parts and defects and six years on compressor
- Compact side-discharge outdoor unit
- Zone control
- Wireless remote controller
- Automatic fan speed control
- Quiet operation – both, indoor and outdoor units
- Auto restart following a power outage
- Self check function
- Advanced microprocessor control

Rated capacity	24,000 Btu/h
Minimum capacity	12,000 Btu/h
Total input	2650 W
SEER	13.5
Power supply	208 / 230V, 1 Phase, 60 Hz
Breaker size	25 A

Voltage

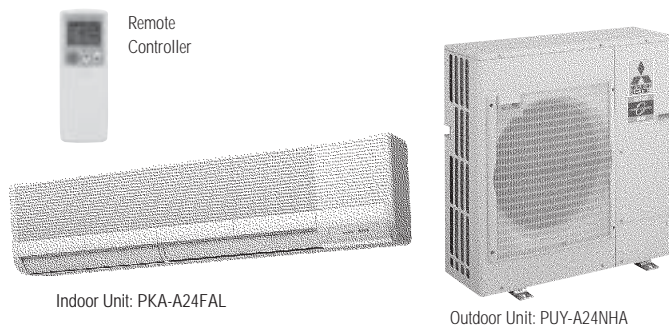
Indoor - outdoor S1-S2	AC 208/230V
Indoor - outdoor S2-S3	DC 24V
Indoor - remote controller	DC

Indoor unit

MCA	1 A
Fan motor	0.43 F.L.A.
Fan motor output	45 W
Airflow (Lo-Hi)	.530-705 Dry CFM 480-635 Wet CFM
Sound level (Lo-Hi)	39-45 dB(A)

DIMENSIONS	INCHES	MM
W	55-1/8	1400
D	9-1/4	235
H	13-3/8	340

Weight (lbs/kg)	53 / 24
Field drain pipe size I.D. (inches/mm)	3/4 / 19.05


Outdoor unit

Compressor	DC inverter/twin rotary
MCA	18
Fan motor	0.75 F.L.A.
Sound level	48 dB(A)

DIMENSIONS	INCHES	MM
W	37-3/8	950
D	13 + 1-3/16	330 + 30
H	37-1/8	943

Weight (lbs/Kg)	163 / 74
Refrigerant type	R410A
Refrigerant pipe size O.D. (inches/mm)	
gas side	5/8 / 15.88
liquid side	3/8 / 9.52
Max. refrigerant pipe length (ft/m)	165 / 50
Max. refrigerant pipe height difference (ft/m)	100 / 30
Connection method	flared

NOTES :

*1. Rating conditions (cooling)-indoor : D.B. 80°F, W.B. 67°F
 outdoor : D.B. 95°F, W.B. 75°F.

Operating range

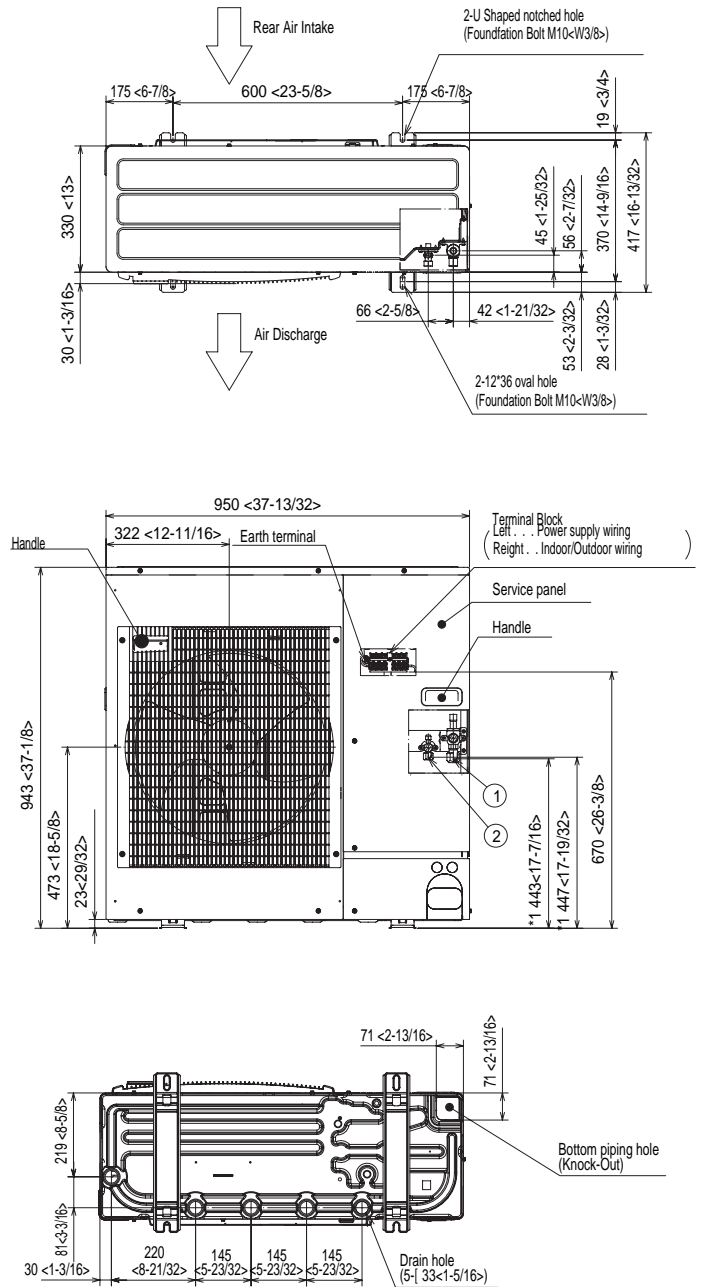
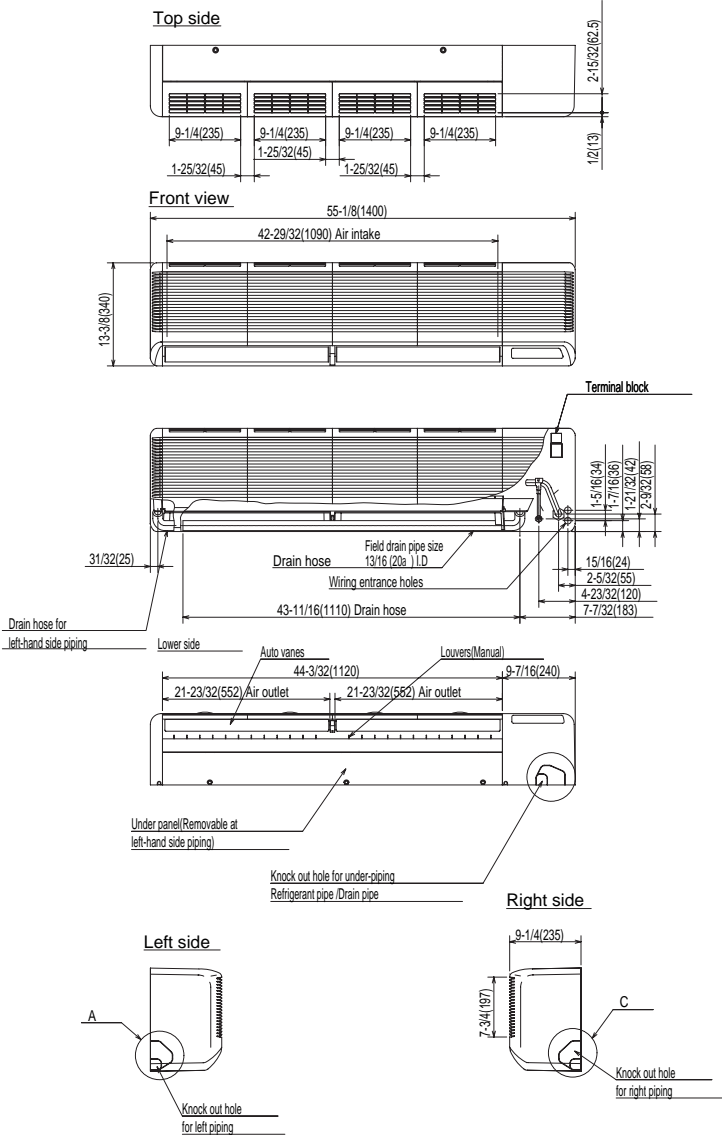
		Indoor intake air temp.	Outdoor intake air temp.
Cooling	Maximum	D.B. 95°F, W.B. 71°F	D.B. 115°F
	Minimum	D.B. 67°F, W.B. 57°F	D.B. 0°F *

* With wind baffle installed. If not installed, the minimum rated temperature is 23°FDB.



Notes:

DIMENSIONS: PKA-A24FAL & PUY-A24NHA



HVAC Advanced Products Division
 Mitsubishi Electric & Electronics USA, Inc.

3400 Lawrenceville Suwanee Rd
 Suwanee, GA 30024
 Tele: 678-376-2900 • Fax: 800-889-9904
 Toll Free: 800-433-4822 (#3)
 www.mehvac.com
 Specifications are subject to change without notice.