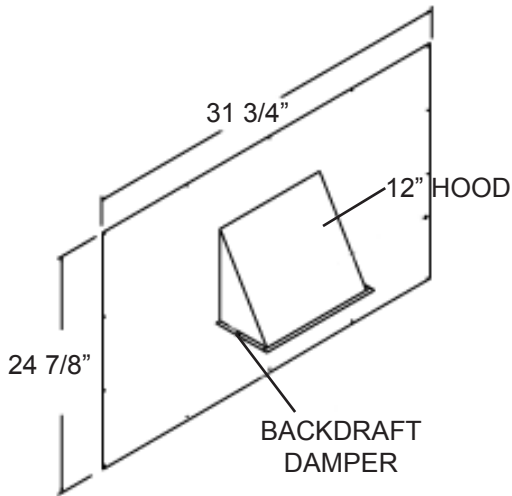




MicroMetl

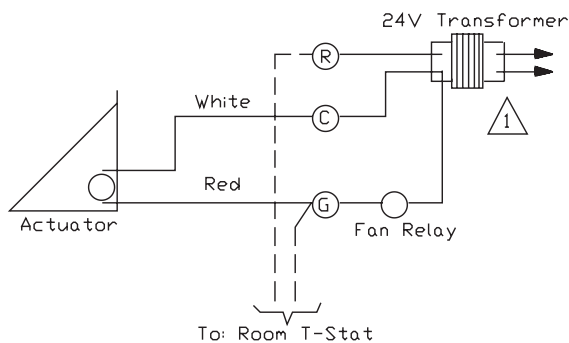
INSTALLATION INSTRUCTIONS

For 0737ZH7120A series manual and
2 position outside air intake hoods

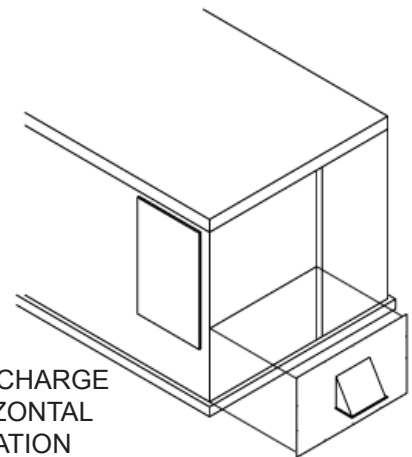


1. Unpackage hood, panel and screw package.
2. Caulk the back side of the hood flanges. Feed harness through the gromet in the duct cover panel (2 position only).
3. Screw hood to duct cover panel.
4. Remove lower cover panel on end of unit. (see illustration below).
5. Install replacement cover panel and screw in place.
6. On 2 position hoods, run harness through return chamber of unit and into control section. Wire per diagram shown. Follow all local codes.

2 Position Hood Wiring Diagram



Unit transformer must have an additional 10 V.A. if not, optional transformer must be used.



DOWN DISCHARGE
OR HORIZONTAL
APPLICATION

IMPORTANT

Unit transformer must have an additional 10 V.A. available. If not, an optional transformer must be used.

MMC 3035 N. Shadeland Ave, Suite 300 Indianapolis, IN. 46226

MMC West 905 Southern Way Sparks, NV. 89431

Manufacturer reserves the right to discontinue, or change at any time, specifications, designs and prices without notice and without incurring obligations.

Form No. 5079-1P

Copyright MicroMetl Corporation 2007 All rights reserved.